

REV. No.	DATE	DESCRIPTION	CHCD	APPD.
△				
△				
△				

付属品

1. 相フランジ 1式

電動機軸換算GD<sup>2</sup>= 2.1kg・m<sup>2</sup>

重量(電動機含む) 90 kg

PART No.	NAME OF PART	MATERIALS	QTY	REMARKS
8	吐出口レギュサー	SS400	1	
7	点検窓	SS400	1	
6	電動機		1	
5	共通台盤	SS400	3	
4	回転刃	SKD11	1	
3	固定刃	SKD11	1	
2	羽根車	SS400	1	
1	機胴	SS400	1	

PART No.	NAME OF PART	MATERIALS	QTY	REMARKS
1	SET TO BE MANUFACTURED			

CUSTOMER'S 標準型(在庫品)

TITLE カuttingブロー(3.7kW50HZ)

TYPE KCB-S-6-B

Gas Temp AIR 20 °C Specific Weight 1.204 kgf/m<sup>3</sup>

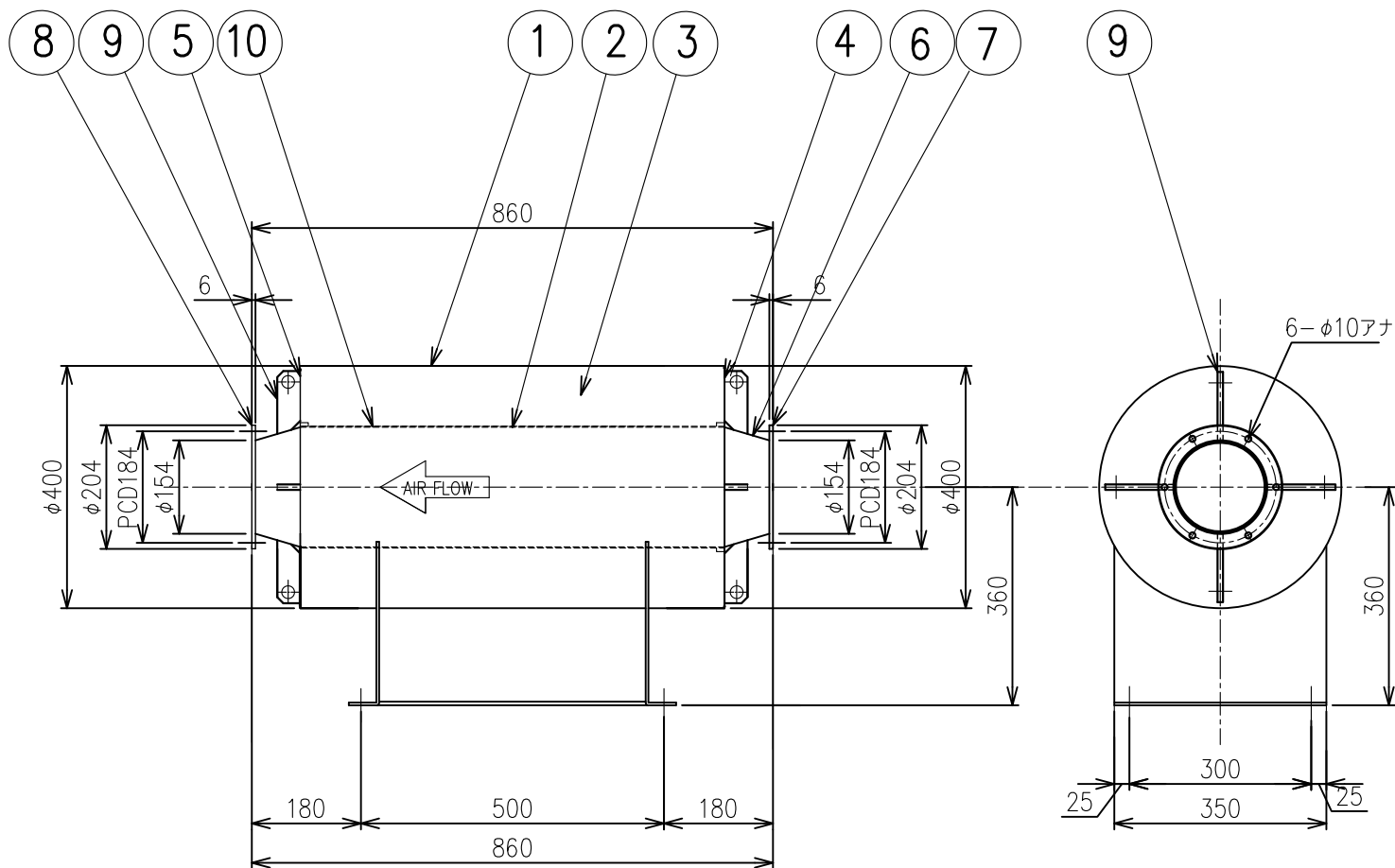
Pressure 2.6 kPa Revolution 2950 rpm

Capacity 23 m<sup>3</sup>/min Output 3.7 KW 2P200V 50 HZ

THIRD ANGLE PROJECTION SCALE NON DATE MAY.2.2016

DRAWN K・A APPD. E・A DWG No. K161528-1

A.MOUNTAIN BLOWER CO.,LTD.



REV. No.	DATE	DESCRIPTION	CHCD	APPD.
△				
△				
△				

重量 60 kg

10	内張り布	GLASS CLOTH	1	
9	リブ	SS400	4	
8	フランジ	SS400	1	
7	フランジ	SS400	1	
6	パイプ	SS400	1	
5	側板	SS400	1	
4	側板	SS400	2	
3	吸音材	GLASS WOOL	1	
2	内筒	SS400	1	
1	外筒	SS400	1	
PART No.	NAME OF PART	MATERIALS	QTY	REMARKS

1 SET TO BE MANUFACTURED

TITLE KCB-S-6-B用 吸込みサイレンサー

TYPE KSL-30

Item No.

Gas Temp AIR 20 °C

Specific Mass 1.204 kg/m<sup>3</sup>

Pressure 2.6 kPa

Revolution 2950 rpm

Capacity 23 m<sup>3</sup>/min

Output 3.7KW2P200V50HZ

THIRD ANGLE PROJECTION

SCALE

NTS

DATE

MAY.2.2017

DRAWN

E.A

APPD.

K.A

DWG No.

K161528-5

A. MOUNTAIN BLOWER CO. LTD.

# PERFORMANCE-CURVE OF BLOWER

JOB		BLOWER SPECIFICATION	
Customer	標準型カッターブロワー	Suct. Static P.	+ 0.00 ( kPa )
Test Date	JUN.30.2016	Disch.Static P.	+ 2.60 ( kPa )
Presencer		Diff. Static P.	2.60 ( kPa )
Tester	K.AKIYAMA	Capacity	21.4 (Nm3/min)
Job No.			23.0 ( m3/min)
Item No.		Speed	2945 (min-1)
Serial No.	K161528-1	Shaft Power	2.69 ( kW )
Type	KCB-S-6-B	Temperature	20 ( °C )
ATMOSPHERIC		Gas	AIR
Pressure	101 ( kPa )	Density	1.204 (kg/m3)
Humidity	78 ( % )	D.Test Duct d=φ	160 ( mm )
Temperature	27 ( °C )	D.Test Duct L=	900 ( mm )
Density	1.18 (kg/m3)	S.Test Duct d=φ	- ( mm )
MOTOR		S.Test Duct L=	- ( mm )
Type	SF-JR	REMARKS	
Capacity	3.7 ( kW )	Drive Type	Direct
Frequency	50 ( Hz )	Service Jacket	0
Voltage	200 ( V )	Lubrication	0
Current	14.2 ( A )	Bearing (Radial)#	0
Speed	2910 (min-1)	Bearing (Thrust)#	0
Serial No.	087GC393	Fan Pulley φ	0
Manufacturer	mitsubishi	Motor Pulley φ	0
		V Belt Size	0
Data	Reduced Values	Seal Type	Teflon +Felt

### 50HZ PERFORMANCE CURVE

