

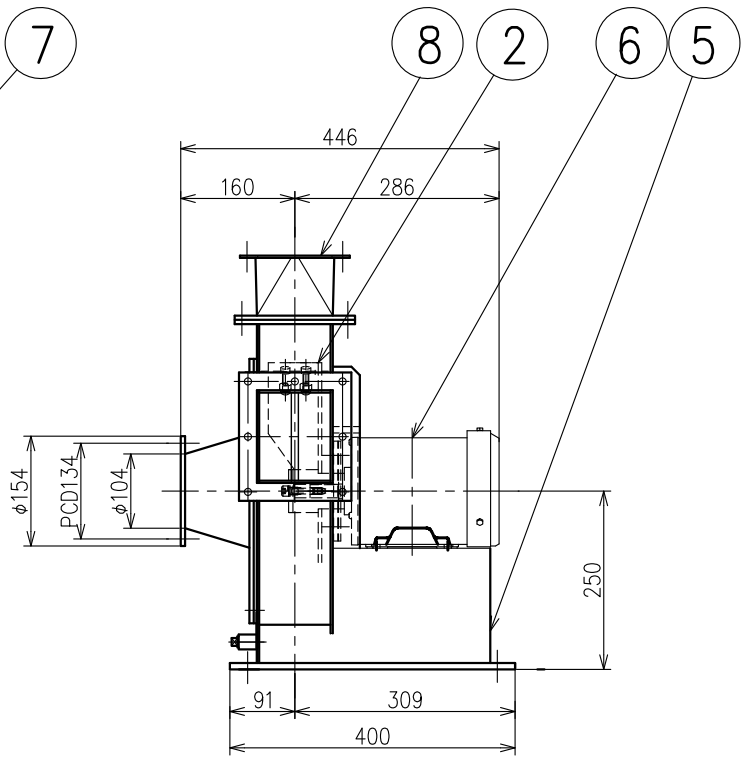
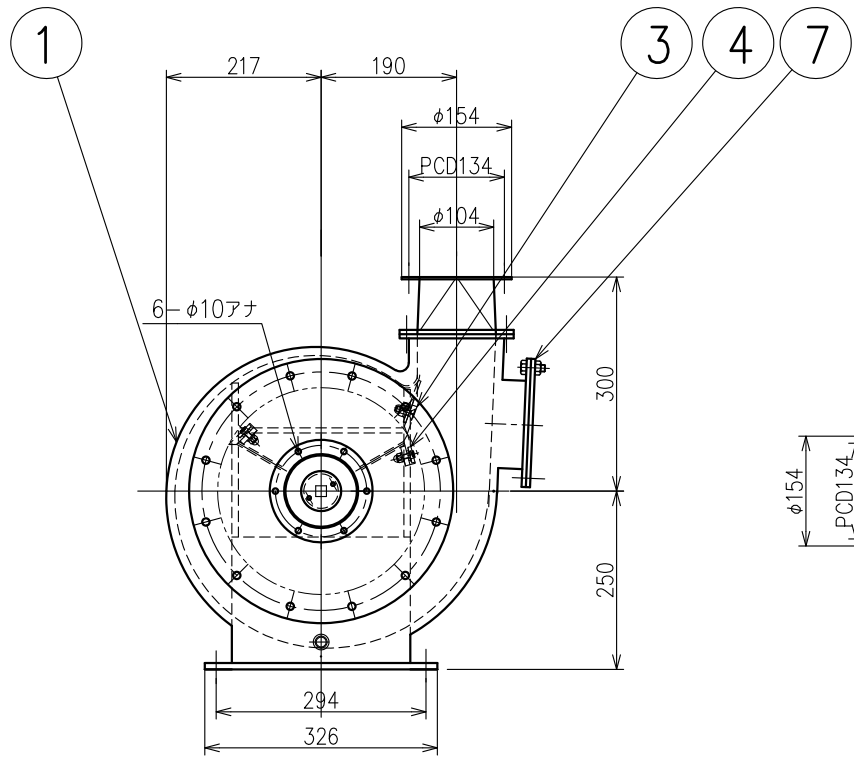
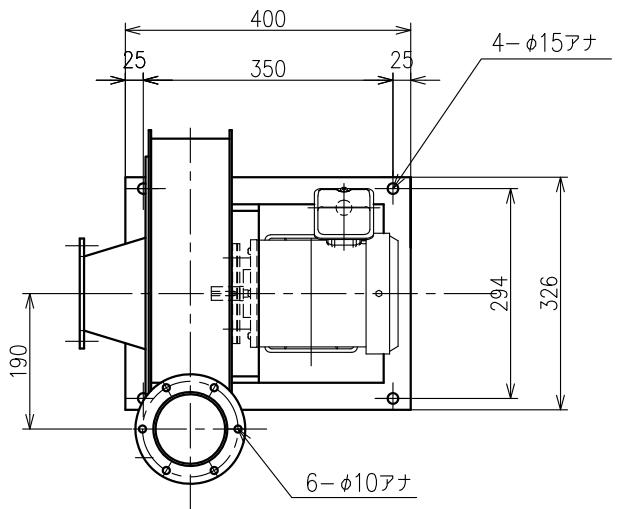
REV. No.	DATE	DESCRIPTION	CHCD	APPD.
△				
△				
△				

電動機軸換算GD²= 0.9 kg.m²

重量(電動機含む) 60 kg

仕上色 外面 マンセル N7

内面 マンセル 防錆プライマー



PART No.	NAME OF PART	MATERIALS	QTY	REMARKS
8	吐出口レヂューサー	SS400	1	
7	点検窓	SS400	1	
6	電動機		1	
5	共通台盤	SS400	1	
4	回転刃	SKD11	3	
3	固定歯	SKD11	1	
2	羽根車	SS400	1	
1	機胴	SS400	1	

1 SET TO BE MANUFACTURED

CUSTOMERS 標準型(在庫用)

TITLE カuttingブロー(0.75kW60HZ)

TYPE KCB-S-4-A

Gas Temp AIR 20°C Specific Weighi 1.204 kgf/m³

Pressure 0.8 kPa Revolution 3500 rpm

Capacity 10 m³/min Output 0.75 KW 2P 200V 60 HZ

THIRD ANGLE PROJECTION SCALE NON DATE JUN.28.2017

DRAWN K・A APPD. E・A DWG No. K171544-1

A.MOUNTAIN BLOWER CO.,LTD.

PERFORMANCE-CURVE OF BLOWER

JOB		BLOWER SPECIFICATION	
Customer	標準型在庫	Suct. Static P.	+ 0.00 (kPa)
Test Date	SEP.29.2016	Disch.Static P.	+ 1.00 (kPa)
Presencer		Diff. Static P.	1.00 (kPa)
Tester	K.AKIYAMA	Capacity	7.5 (Nm3/min)
Job No.			8.0 (m3/min)
Item No.		Speed	3510 (min-1)
Serial No.	K161544-1	Shaft Power	0.54 (kW)
Type	KCB-S-4-A	Temperature	20 (°C)
ATMOSPHERIC		Gas	AIR
Pressure	102 (kPa)	Density	1.204 (kg/m3)
Humidity	85 (%)	D.Test Duct d=φ	131 (mm)
Temperature	24 (°C)	D.Test Duct L=	900 (mm)
Density	1.19 (kg/m3)	S.Test Duct d=φ	- (mm)
MOTOR		S.Test Duct L=	- (mm)
Type	IKH3-FCKK21E	REMARKS	
Capacity	0.75 (kW)	Drive Type	Direct
Frequency	60 (Hz)	Service Jacket	0
Voltage	200 (V)	Lubrication	0
Current	3 (A)	Bearing (Radial)#	0
Speed	3445 (min-1)	Bearing (Thrust)#	0
Serial No.	62067483	Fan Pulley φ	0
Manufacturer	TOSHIBA	Motor Pulley φ	0
		V Belt Size	0
Data	Reduced Values	Seal Type	Teflon +Felt

